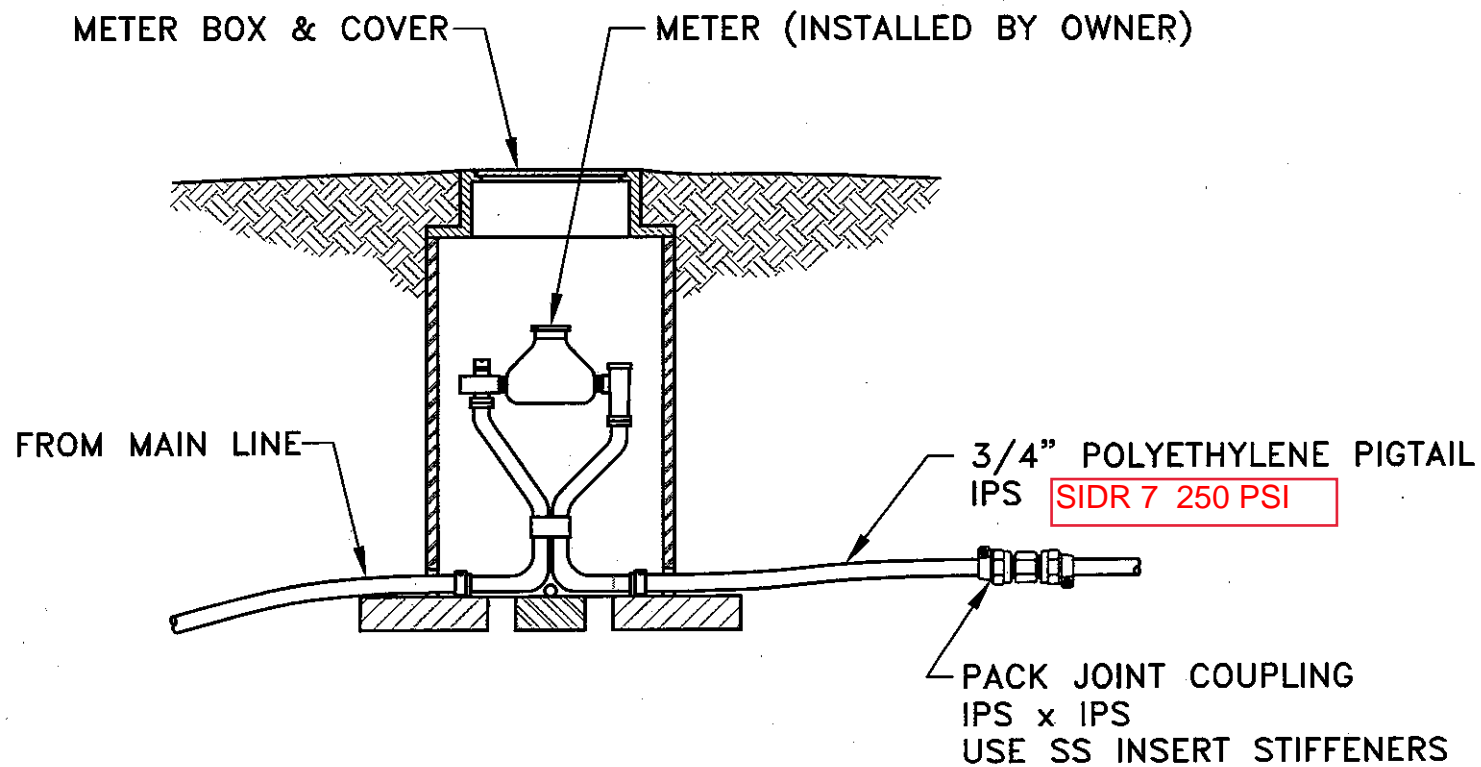


Homeowner must connect to pigtail and NOT directly to meter setter.

SERVICE SETTING BEFORE HOOK UP

**TYLER COUNTY PSD**  
 TYLER COUNTY, WEST VIRGINIA  
 TYPICAL INSTALLATION~WATER SERVICE LINE

ISSUE DATE 08-16-11	SCALE NO SCALE	PROJECT NO -	DRAWING NO IPS-01
------------------------	-------------------	-----------------	----------------------

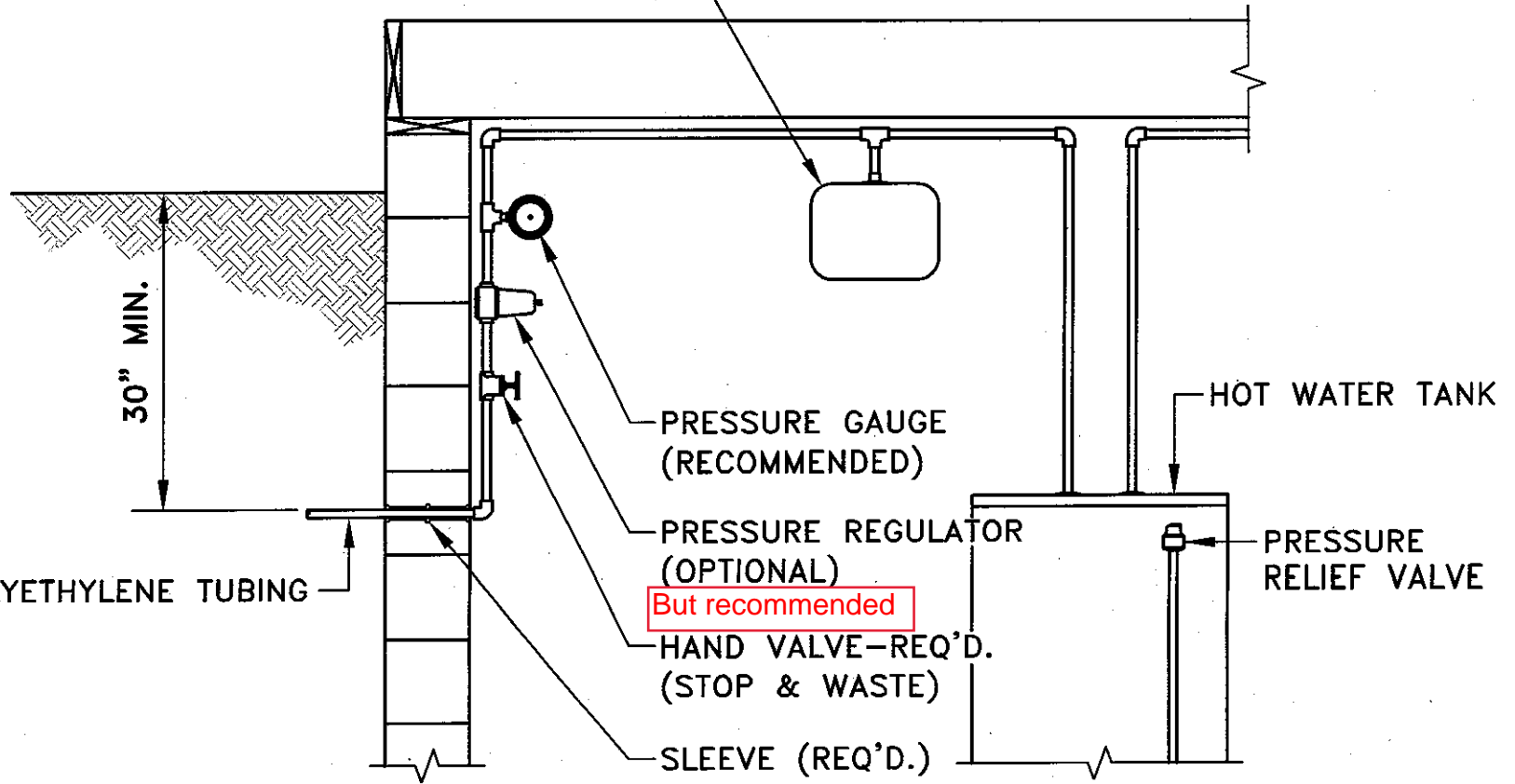


SERVICE SETTING AFTER HOOK UP

**TYLER COUNTY PSD**  
 TYLER COUNTY, WEST VIRGINIA  
 TYPICAL INSTALLATION~WATER SERVICE LINE

ISSUE DATE 08-16-11	SCALE NO SCALE	PROJECT NO -	DRAWING NO IPS-02
------------------------	-------------------	-----------------	----------------------

THERMAL EXPANSION TANK (REQ'D.)



POLYETHYLENE TUBING  
IPS

30" MIN.

PRESSURE GAUGE  
(RECOMMENDED)

PRESSURE REGULATOR  
(OPTIONAL)

But recommended

HAND VALVE-REQ'D.  
(STOP & WASTE)

SLEEVE (REQ'D.)

HOT WATER TANK

PRESSURE  
RELIEF VALVE

INTERNAL SERVICE LINE INSTALLATION

<b>TYLER COUNTY PSD</b>			
TYLER COUNTY, WEST VIRGINIA			
<b>INTERNAL SERVICE LINE INSTALLATION</b>			
ISSUE DATE	SCALE	PROJECT NO	DRAWING NO
08-16-11	NONE	-	IPS-03